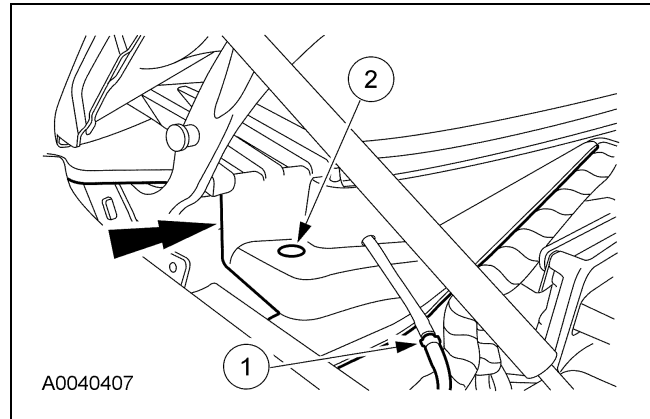
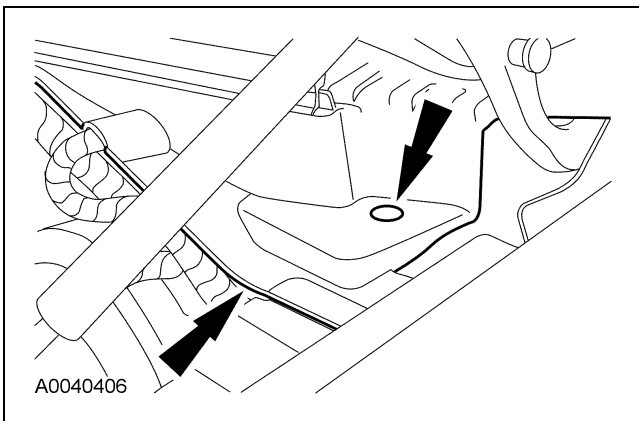


REMOVAL AND INSTALLATION

Cowl Panel Grille

Removal and Installation

1. Remove the windshield wipers. For additional information, refer to Section 501-16.
2. Remove the cowl grille seal.
3. Remove the pin-type retainer and left side cowl trim panel.
 - Disconnect the windshield washer tube.



5. If necessary, adjust the windshield wiper arms. For additional information, refer to Section 501-16.
6. To install, reverse the removal procedure.

4. Remove the right side cowl trim panel.
 - 1 Disconnect the windshield washer tube.
 - 2 Remove the pin-type retainer.